

Drum Storage Rack - BDRK Series Survey

CUSTOMER INFORMATION

CONTACT: _____
COMPANY: _____
PHONE: _____
EMAIL: _____

SURVEY SHEET

Complete and return this form to the factory or your distributor. A professional will evaluate your needs and provide you with more information.

RACK SIZE

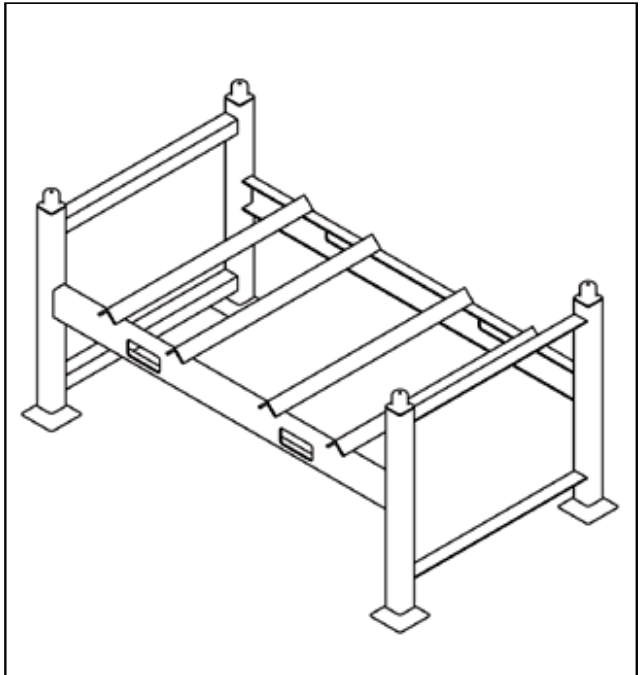
OVERALL WIDTH: _____
OVERALL DEPTH: _____
OVERALL HEIGHT: _____
USABLE DEPTH: _____
OF DRUMS TO BE STORED _____

NOT CRITICAL

PRODUCT INFO

DRUM SIZE:
DIAMETER: _____
HEIGHT: _____
CAPACITY/DRUM WEIGHT:

ADDITIONAL INFORMATION:



APPLICATION / LOADING INFO

BEACON[®] 
BEACON INDUSTRIES, INC. 12300
Old Tesson Rd.
St. Louis, MO 63128-2247 USA
OFFICE: 314-487-7600 FAX: 314-487-0100